

Magnetic Head Products


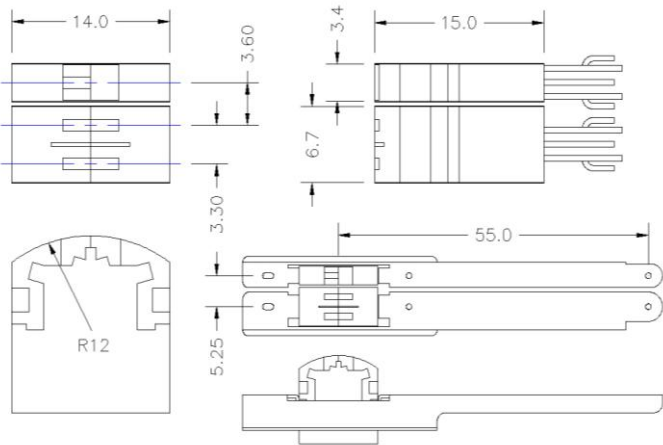
Long-lasting_ISO Sliced read, read/write Heads

<Applications>

- Credit card writer/reader for both High & Low coercivity (Hc 300 – 3,600 Oe)
- Bank systems / Magnetic card terminals.

<Key features>

- Long-lasting lifetime : 4,000K min.
- Customized head assembly : Magnetic head + Holder/spring +FPC/cable.
- Customized electric specifications are available.

IMAGES	DIMENSIONS(mm)
	

SPECIFICATIONS.

ITEMS	CONDITIONS	MODEL	
		YHI-611351 (REV. A)	YHI-612150 (REV. A)
Inductance	1 KHz@1Vp-p	R1,2	50 mH ±30%
		R3	90 mH ±30%
		W3	2.0 mH ±30%
D.C resistance		R1,2	150 Ω ±25%
		R3	150 Ω ±25%
		W3	5.0 Ω ±25%
Core track width		R	1.0 mm
		W	3.0 mm
Recording current	High/Low Coercivity	3,300 Oe=280 mAb-p / 330 Oe=40mAb-p	
Read output	High/Low (350 mm/sec)	1.2 Vp-p ±20% / 1.2 Vp-p ±20%	
Life time	Sendust cores	4,000 k	
Insuation resistance	D.C 500V	10 MΩ min.	
Size		14.0 x 3.4 x 15.0 mm	14.0 x 6.7 x 15.0 mm