

# Magnetic Head Products

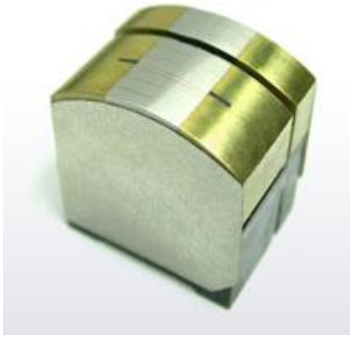
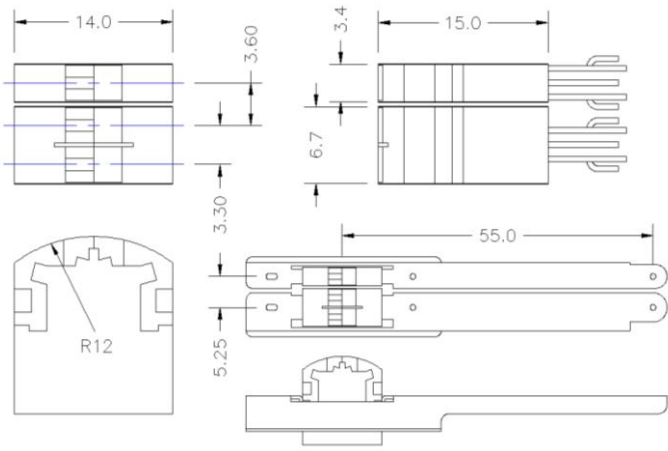
## Long-lasting\_ISO Sliced read/write Heads

### <Applications>

- Credit card writer/reader for both High & Low coercivity (Hc 300 – 3,600 Oe)
- Bank systems / Magnetic card terminals.

### <Key features>

- Extremely reliable data read & write performance for Credit cards.
- Customized head assembly : Magnetic head + Holder/spring +FPC/cable.
- Customized electric specifications are available.

| IMAGES   | DIMENSIONS(mm)  |
|--|---|
|  |  |

### SPECIFICATIONS.

| ITEMS                | CONDITIONS            | MODEL                               |                      |
|----------------------|-----------------------|-------------------------------------|----------------------|
|                      |                       | YHI-611351 (REV. A)                 | YHI-612351 (REV. A)  |
| Inductance           | 1 KHz@1Vp-p           | R                                   | 90 mH ±25%           |
|                      |                       | W                                   | 2.0 mH ±25%          |
| D.C resistance       |                       | R                                   | 150 Ω ±20%           |
|                      |                       | W                                   | 5.0 Ω ±20%           |
| Core track width     |                       | R                                   | 1.0 mm               |
|                      |                       | W                                   | 3.0 mm               |
| Recording current    | High/Low Coercivity   | 3,300 Oe=280 mAb-p / 330 Oe=40mAb-p |                      |
| Read output          | High/Low (350 mm/sec) | 1.2 Vp-p ±20% / 1.2 Vp-p ±20%       |                      |
| Life time            | Sendust cores         | 4,000 k                             |                      |
| Insuation resistance | D.C 500V              | 10 MΩ min.                          |                      |
| Size                 |                       | 14.0 x 3.4 x 15.0 mm                | 14.0 x 6.7 x 15.0 mm |