

Magnetic Head Products


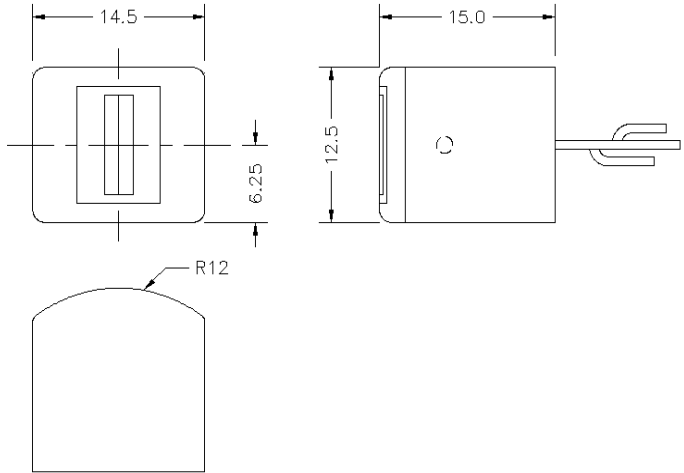
Long-lasting_M.I.C.R Read Heads

<Applications>

- Higher speed Check readers, Bill validators : speed range 150 -1,400mm/sec.
- Wide application for E13B and CMC7 fonts of M.I.C.R.
- Very stable readout pulse shape & amplitude from M.I.C.R patterns.

<Key features>

- Ultra long-lifetime(over 4,000K passes) : Ceramic cores.
- Customized head assembly : Magnetic head + Holder/spring +Shield cable.
- Customized electric specifications are available.

IMAGES	DIMENSIONS(mm)
	

SPECIFICATIONS.

ITEMS	CONDITIONS	MODEL		
		YHM-611110 (REV. A)	YHM-611120 (REV. A)	
Inductance	1 KHz@1Vp-p	R	20 mH ±25%	150 mH ±25%
D.C resistance		R	50 Ω ±20%	450 Ω ±20%
Core track width		R	8.0 mm	
Recording current	Coercivity		Oe= mAb-p	
Read output	mm/sec		Vp-p ±20%	
Life time	Ceramic cores		4,000 k	
Insuation resistance	D.C 500V		10 MΩ min.	
Size			14.5 x 12.5 x 15.0 mm	